

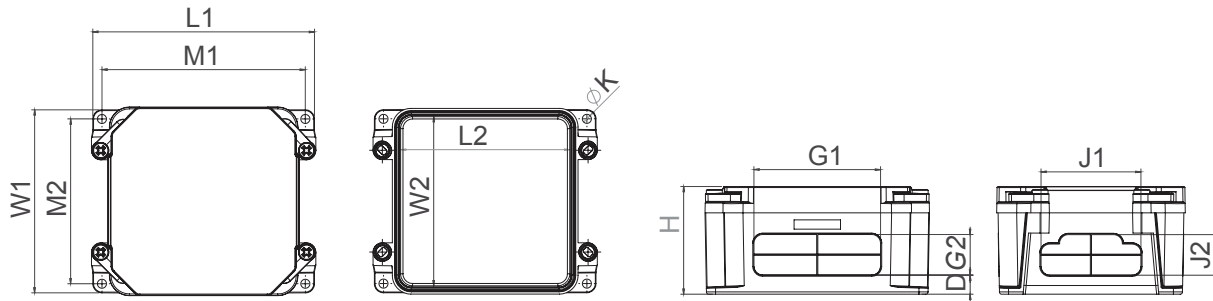
MODEL :		TYPE
PROJECT :		
PREPARED BY :	DATE :	

## SERIES SPECIFICATIONS

JBX junction boxes are intended for installation within a rigid non-metallic conduit system (PVC) or for use independently. Designed and approved for use in both indoor and outdoor applications, JBX junction boxes allow for accessibility for installation of wire and cable in continuous lengths and to enclose joints and splices. JBX junction boxes can also be used to enclose electrical equipment in non-hazardous locations.



## JBX

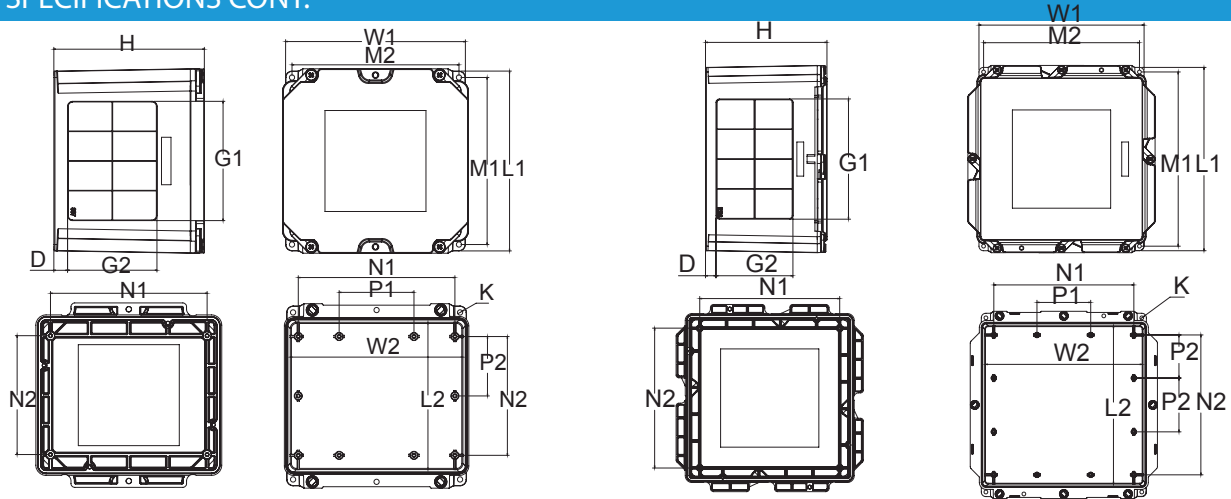


Size Inches	Part Number	IMS Code	L1	W1	L2	W2	H	M1	M2	G1	G2	J1	J2	D	K
4x4x2	JBX442	0314-7369	4.97	3.93	3.48	3.48	2.90	4.48	3.44	2.41	1.09	1.72	1.09	0.51	0.24
4x4x4	JBX444	0314-7372	4.90	3.86	3.48	3.48	4.89	4.41	3.37	2.22	2.97	1.59	2.97	0.59	0.24
5x5x2	JBX552	0314-7375	5.97	4.93	4.55	4.55	2.90	5.48	4.44	3.41	1.09	2.69	1.09	0.51	0.24
6x3x4	JBX634	0314-7378	3.90	5.86	2.48	5.48	4.89	3.41	5.37	1.22	2.72	3.42	2.72	0.59	0.28
6x6x4	JBX664	0314-7381	7.58	7.58	5.86	7.20	4.90	6.90	6.90	4.47	2.47	4.47	2.47	0.59	0.28
6x6x6	JBX666	0314-7384	7.51	7.51	5.79	7.13	6.90	6.83	6.83	4.22	4.47	4.22	4.47	0.72	0.28

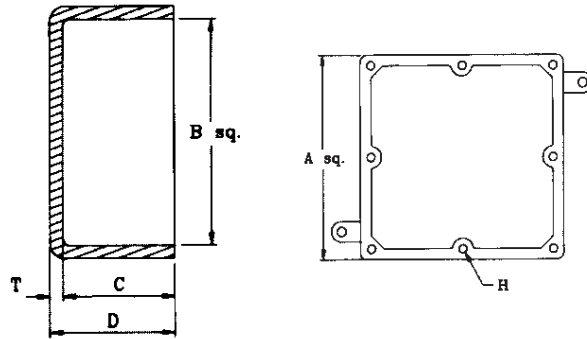
APPLICATION AND PERFORMANCE SPECIFICATION INFORMATION IS SUBJECT TO CHANGE WITHOUT NOTIFICATION

MODEL :		TYPE
PROJECT :		
PREPARED BY :	DATE :	

**PHYSICAL SPECIFICATIONS CONT.**



Size Inches	Part Number	IMS Code	L1	W1	L2	W2	H	M1	M2	G1	G2	N1	N2	P1	P2	D	K
8x8x4	JBX884	0314-7387	9.58	9.58	7.86	9.20	4.90	8.90	8.90	6.47	1.97	8.25	6.26	3.94	3.13	0.59	0.28
8x8x7	JBX887	0314-7390	9.47	9.47	7.76	9.10	7.90	8.90	8.90	6.22	4.65	8.25	6.26	3.94	3.13	0.75	0.28
12x12x4	JBX12124	0314-7393	13.58	12.24	11.74	11.74	4.90	12.90	11.56	9.28	2.03	10.26	10.25	3.94	3.13	0.56	0.28
12x12x6	JBX12126	0314-7396	13.58	12.24	11.74	11.74	6.90	12.90	11.56	9.03	3.78	10.26	10.25	3.94	3.13	0.67	0.28
12x12x8	JBX12128	0314-7399	13.58	12.24	11.74	11.74	8.90	12.90	11.56	8.81	5.64	10.26	10.25	3.94	3.13	0.76	0.28



Size Inches	Part Number	IMS Code	A sq.	B sq.	C	D	H	T
4x4x2	JB442	0009-6760	4.04	3.69	1.99	2.15	4	0.20
4x4x4	JB444	0235-0632						
4x4x6	JB446	0234-8529	4.03	3.43	6.00	6.235	4	0.24
5x5x2	JB552	0264-4941						
6x6x4	JB664	0009-6772						
6x6x6	JB666	0235-0629	6.375	5.80	5.67	6.21	4	0.54
8x8x4	JB884	0009-6778	8.60	7.95		4.20	4	
8x8x7	JB887	0235-0641	8.637	7.70	7.00	7.20	4	0.24
12x12x4	JB12124	0009-6754						
12x12x6	JB12126	0009-6757						
12x12x8	JB12128	0255-5469	12.50	11.67	7.98	8.24	8	0.28

APPLICATION AND PERFORMANCE SPECIFICATION INFORMATION IS SUBJECT TO CHANGE WITHOUT NOTIFICATION