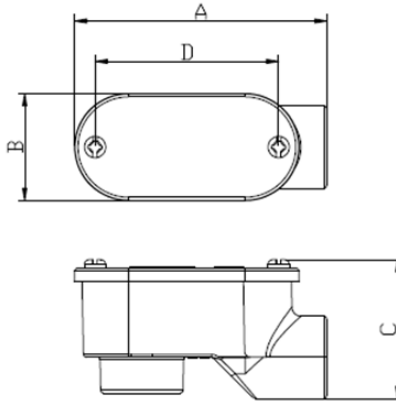


MODEL :	TYPE
PROJECT :	
PREPARED BY :	DATE :

SERIES SPECIFICATIONS

½" TYPE "SLB" ALUMINUM CONDULET W/ COVER & GASKET

LINE DRAWING



CONSTRUCTION

Material

Die Cast Aluminum

Finish

Gray

Outlet Holes

2

Type

SLB

DIMENSION

Trade Size

1/2"

A in.

3.257"

B in.

1.379"

C in.

1.79"

APPLICATION AND PERFORMANCE SPECIFICATION INFORMATION IS SUBJECT TO CHANGE WITHOUT NOTIFICATION

MODEL :	TYPE
PROJECT :	
PREPARED BY :	DATE :

DIMENSION

D in.
2.37"

NPT Gauge
not less than 5.5 threads and not more than 8 threads

ORDERING INFORMATION

Part Number: WI XL SLB 50

IMS Code: 0001-7593

APPLICATION AND PERFORMANCE SPECIFICATION INFORMATION IS SUBJECT TO CHANGE WITHOUT NOTIFICATION