



CONTRACTOR:	
PROJECT:	DATE:
PREPARED BY:	MODEL#:

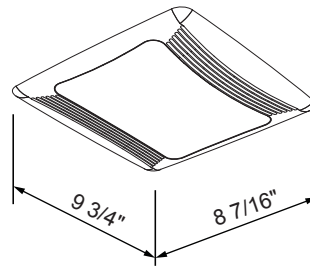
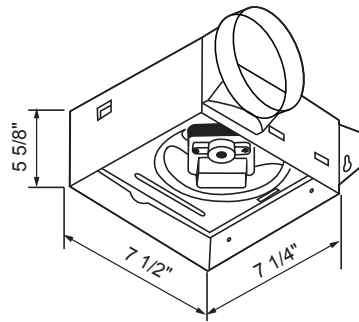
## DESCRIPTION

### ABF50L

50 CFM BATH FAN WITH LIGHT 3.5 SONES



## LINE DRAWING



## CONSTRUCTION

**Sones**  
3.5

**CFM**  
50

**Housing Material**  
Galvanized steel

**Air Flow Capacity**  
50 Cubic Feet per Minute

**Duct Size**  
4 Inches

**Mounting**  
Recessed

## ELECTRICAL SPECIFICATIONS

**Input Voltage**  
120VAC

**Frequency Rating**  
60 Hertz

**Lamp Wattage**  
45 Watts

## CERTIFICATIONS AND WARRANTY

**Warranty**  
Guaranteed for one year from the purchase date of the product, against mechanical defects in manufacturing.

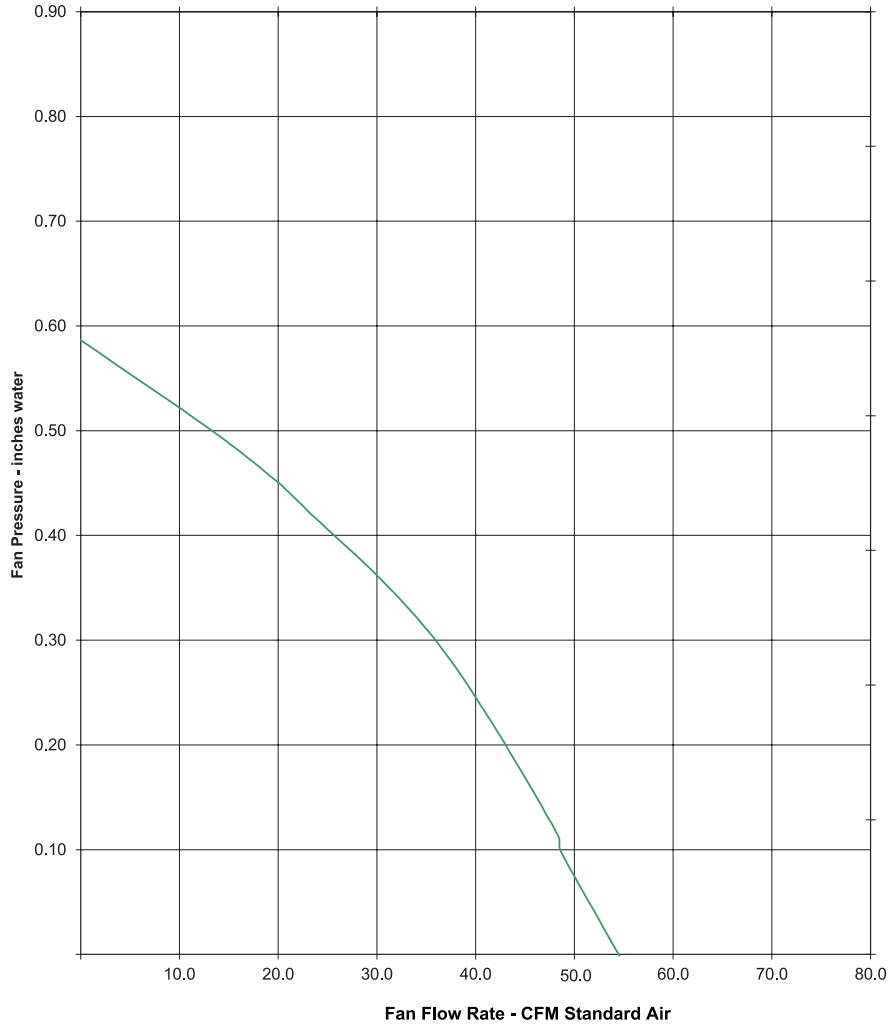
**Location Rating**  
Suitable for Damp locations

APPLICATION AND PERFORMANCE SPECIFICATION IS SUBJECT TO CHANGE WITHOUT NOTIFICATION



CONTRACTOR:	
PROJECT:	DATE:
PREPARED BY:	MODEL#:

**FAN FLOW RATE**



**ORDERING INFORMATION**

Example: ABF50L

SERIES	CFM	OPTION
ABF	[ 50 ]: 50 CFM	[ L ]: Light

APPLICATION AND PERFORMANCE SPECIFICATION IS SUBJECT TO CHANGE WITHOUT NOTIFICATION