



CONTRACTOR:	
PROJECT:	DATE:
PREPARED BY:	MODEL#:

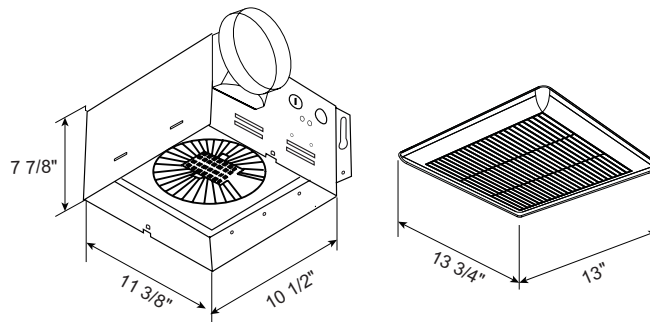
DESCRIPTION

ABFQCFMA-80140

The ABFQ series bath fans are ultra quiet, high performance, bath fans designed to exhaust air quietly and efficiently.



LINE DRAWING



CONSTRUCTION

Housing Material

26GA galvanized steel

Motor Type

Centrifugal type blower wheel

Duct Diameter

6"

Blower Wheel

Centrifugal type

Collar

Detachable 6" polymeric collar includes a light weight built in back draft damper.

Grill Material

Polymeric resin

Grill Mounting

Torsion spring clips

Overload Protection

Built-in overload disconnect

ELECTRICAL SPECIFICATIONS

Input Voltage

120 VAC

Frequency

60 Hz

Static Pressure

Min. 0.1

Air Volume (CFM)

Min. 80-140

80CFM - 6W

110CFM - 9W

140CFM - 13W

Sones

0.3/0.3/0.4



CONTRACTOR:	
PROJECT:	DATE:
PREPARED BY:	MODEL#:

ORDERING INFORMATION

Example: ABFQCFMA-80140

SERIES	ADJUSTABLE CFM
ABFQ	[CFMA-80140] : 80-140 CFM