

MODEL :		TYPE
PROJECT :		
PREPARED BY :	DATE :	

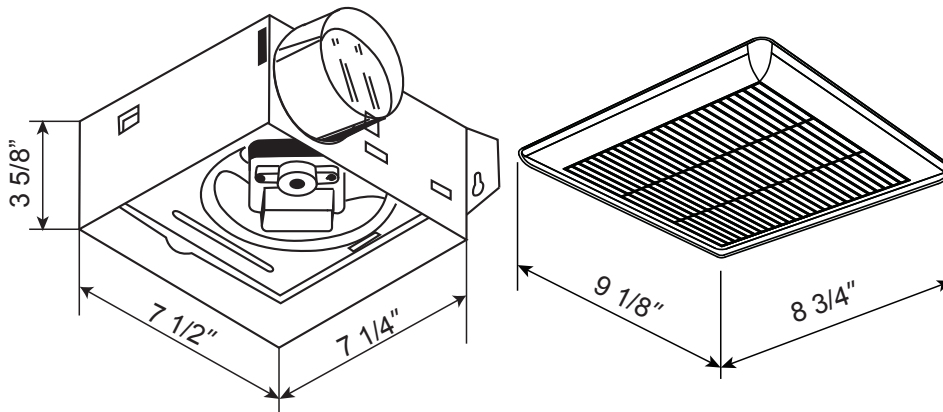
## SERIES SPECIFICATIONS

ABF SERIES

The ABF series bath fans are high performance, bath fans designed to exhaust air quietly and efficiently.



## LINE DRAWING



## CONSTRUCTION

Housing Material  
26GA galvanized steel

Motor Type  
Centrifugal type blower wheel

Duct Diameter  
4"

Blower Wheel  
Centrifugal type

Collar  
Detachable 4" polymeric collar included

Grill Material  
Polymeric resin

Grill Mounting  
Torsion spring clips

Overload Protection  
Built-in overload disconnect

## ELECTRICAL SPECIFICATIONS

Input Voltage  
120 VAC

Frequency  
60 Hz

Fan Wattage  
60W



APPLICATION AND PERFORMANCE SPECIFICATION INFORMATION IS SUBJECT TO CHANGE WITHOUT NOTIFICATION

660 NW PEACOCK BLVD. | PORT ST. LUCIE, FL 34986 | TEL: 772.879.0178 | TAMLITEUSA.COM

MODEL :		TYPE
PROJECT :		
PREPARED BY :	DATE :	

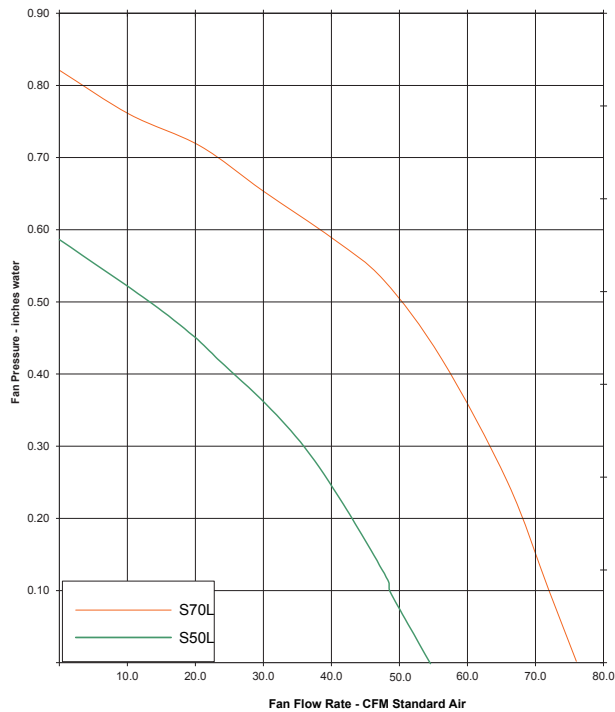
## ELECTRICAL SPECIFICATIONS CONT.

Static Pressure Min.  
0.1

Air Volume (CFM) Min.  
70

Sones  
3.5

## PERFORMANCE SPECIFICATIONS



## CERTIFICATIONS/WARRANTY

Listing  
ETL Listed

Location Rating:  
Suitable for Damp locations

### Warranty

Guaranteed for one year from the purchase date of the product, against mechanical defects in manufacturing.





MODEL :		TYPE
PROJECT :		
PREPARED BY :	DATE :	

## ORDERING INFORMATION

Part Number: ABF70

ABF	70	
SERIES	CFM	OPTIONS
ABF	[70] : 70 CFM	

