

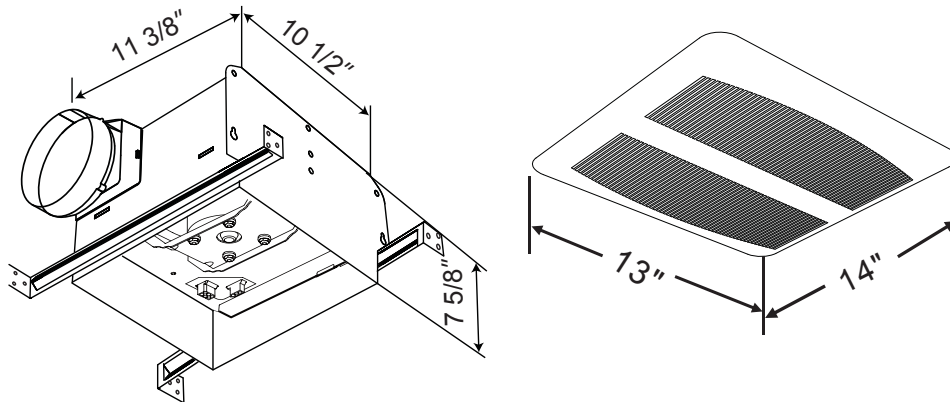
MODEL :		TYPE
PROJECT :		
PREPARED BY :	DATE :	

**SERIES SPECIFICATIONS** **ABFQ SERIES**

The ABFQ series bath fans are ultra quiet, high performance, bath fans designed to exhaust air quietly and efficiently.



**LINE DRAWING**



**CONSTRUCTION**

**Housing Material**  
26GA galvanized steel

**Motor Type**  
Centrifugal type blower wheel

**Duct Diameter**  
4"

**Blower Wheel**  
Centrifugal type

**Collar**  
Detachable 4" polymeric collar includes a light weight built in back draft damper.

**Grill Material**  
Polymeric resin

**Grill Mounting**  
Torsion spring clips

**Overload Protection**  
Built-in overload disconnect

**ELECTRICAL SPECIFICATIONS**

**Input Voltage**  
120 VAC

**Frequency**  
60 Hz

**Fan Wattage**  
25W

APPLICATION AND PERFORMANCE SPECIFICATION INFORMATION IS SUBJECT TO CHANGE WITHOUT NOTIFICATION



MODEL :		TYPE
PROJECT :		
PREPARED BY :	DATE :	

### ELECTRICAL SPECIFICATIONS CONT.

Static Pressure Min.  
0.1

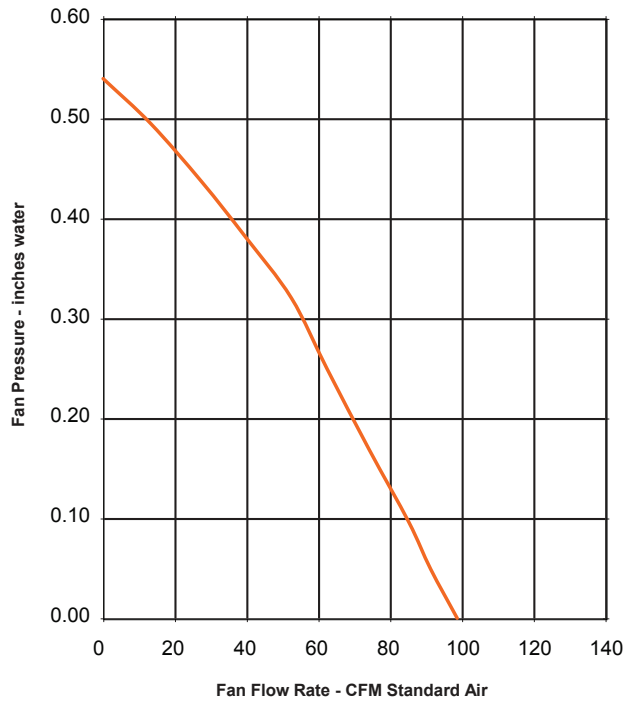
Static Pressure Max.  
0.25

Air Volume (CFM) Min.  
80

Air volume (CFM) Max.  
58

Sones  
0.4

### PERFORMANCE SPECIFICATIONS



### CERTIFICATIONS/WARRANTY

Listing  
ETL Listed

Location Rating:  
Suitable for Damp locations

#### Warranty

Guaranteed for one year from the purchase date of the product, against mechanical defects in manufacturing.

APPLICATION AND PERFORMANCE SPECIFICATION INFORMATION IS SUBJECT TO CHANGE WITHOUT NOTIFICATION



MODEL :		TYPE
PROJECT :		
PREPARED BY :	DATE :	

## ORDERING INFORMATION

Part Number: ABFQ80

ABFQ	80	
SERIES	CFM	OPTIONS
ABFQ	[80] : 80 CFM	

APPLICATION AND PERFORMANCE SPECIFICATION INFORMATION IS SUBJECT TO CHANGE WITHOUT NOTIFICATION