

MODEL :		TYPE
PROJECT :		
PREPARED BY :	DATE :	

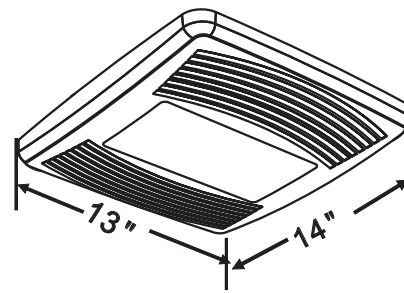
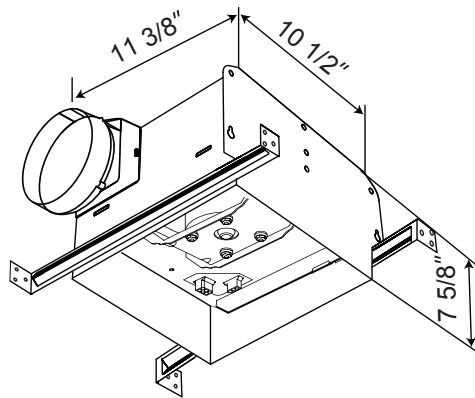
## SERIES SPECIFICATIONS

ABFQ SERIES

The ABFQ series bath fans are ultra quiet, high performance, bath fans designed to exhaust air quietly and efficiently.



## LINE DRAWING



## CONSTRUCTION

**Housing Material**  
26GA galvanized steel

**Motor Type**  
Centrifugal type blower wheel

**Duct Diameter**  
4"

**Blower Wheel**  
Centrifugal type

**Collar**  
Detachable 4" polymeric collar includes a light weight built in back draft damper.

**Grill Material**  
Polymeric resin

**Grill Mounting**  
Torsion spring clips

**Overload Protection**  
Built-in overload disconnect

## ELECTRICAL SPECIFICATIONS

**Input Voltage**  
120 VAC

**Frequency**  
60 Hz

**Fan Wattage**  
25W



APPLICATION AND PERFORMANCE SPECIFICATION INFORMATION IS SUBJECT TO CHANGE WITHOUT NOTIFICATION

660 NW PEACOCK BLVD. | PORT ST. LUCIE, FL 34986 | TEL: 772.879.0178 | TAMLITEUSA.COM

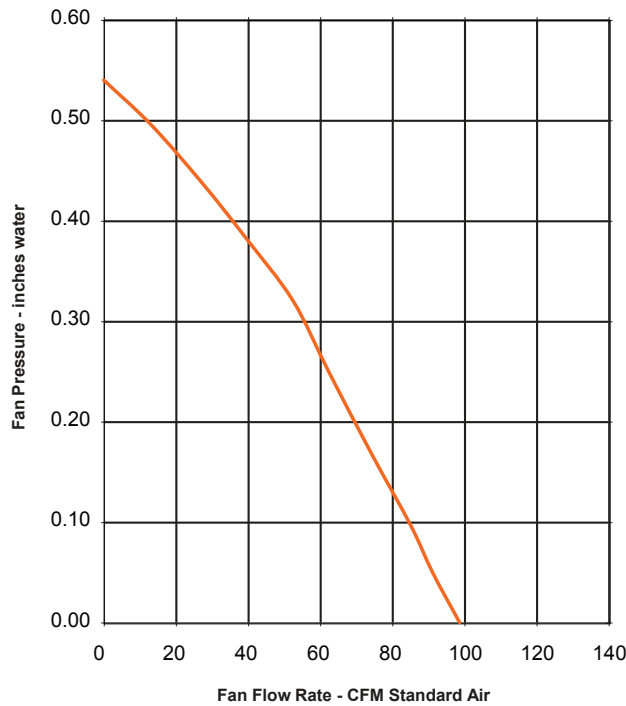


MODEL :		TYPE
PROJECT :		
PREPARED BY :	DATE :	

**ELECTRICAL SPECIFICATIONS CONT.**

Static Pressure Min. 0.1	Static Pressure Max. 0.25	Air Volume (CFM) Min. 80
Air volume (CFM) Max. 58	Sones 0.4	Max. Lamp Wattage 26W CFL

**PERFORMANCE SPECIFICATIONS**



**CERTIFICATIONS/WARRANTY**

Listing  
ETL Listed

Location Rating:  
Suitable for Damp locations

**Warranty**

Guaranteed for one year from the purchase date of the product, against mechanical defects in manufacturing.





MODEL :		TYPE
PROJECT :		
PREPARED BY :	DATE :	

## ORDERING INFORMATION

Part Number: ABFQ80L

ABFQ	80	L
SERIES	CFM	OPTIONS
ABFQ	[80] : 80 CFM	[L] : Light

